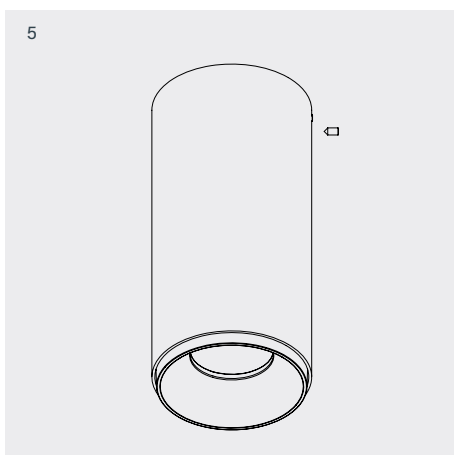
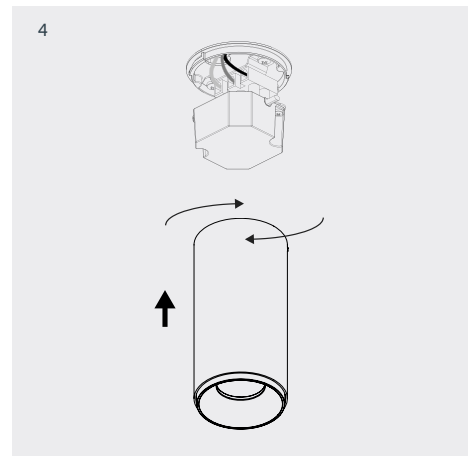
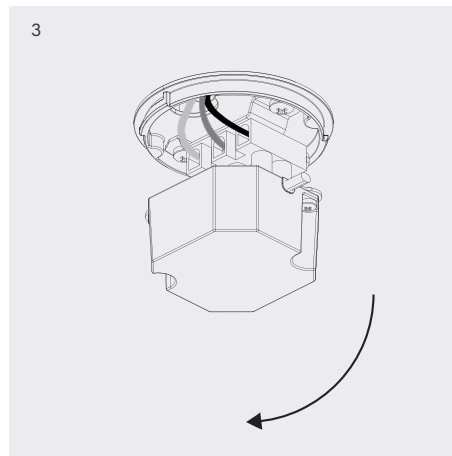
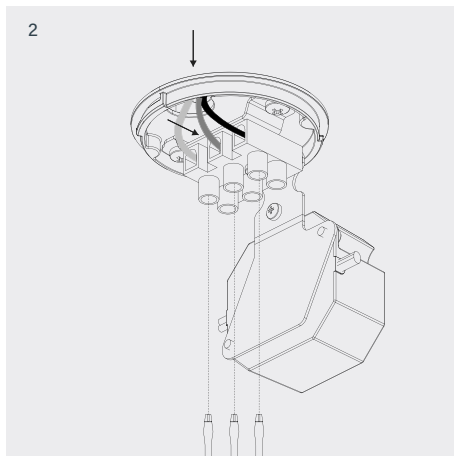
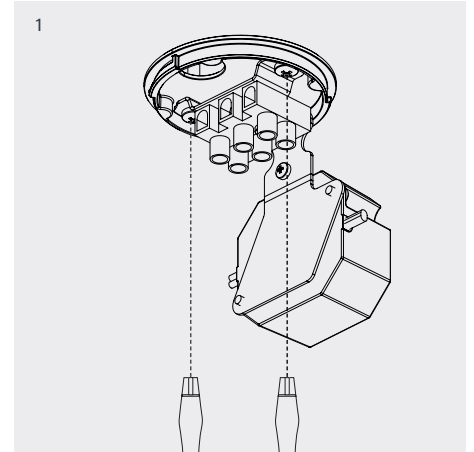
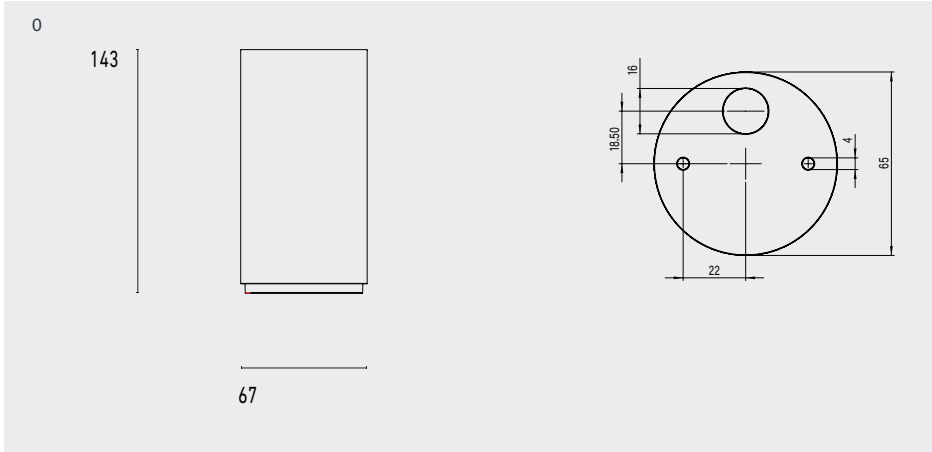


101 06 1001--,-  
Mono 060 Surface Type 1

LED Power Supply 180mA Included

8W 240V-AC  
Class III  
IP20



- 1 Screw base and driver mount onto ceiling using supplied screws and anchors.
- 2 Feed cables through power entry hole and terminate into terminal block.
- 3 Fold driver mount bracket to 90 degrees.
- 4 Slide Mono 060 Surface housing over the ceiling base and rotate to lock into position.
- 5 Fix housing to ceiling base with grub screw provided.